

# How to identify repaired handlebar grips on the recalled Tone scooters

**⚠ WARNING!** Grips may loosen or fracture and may cause loss of control if the grips are not replaced!

Replacement **handlebar grips** will have two **clamps** installed as shown in fig. 1.

**Note:** the replacement handlebar grips are longer than the original grips.

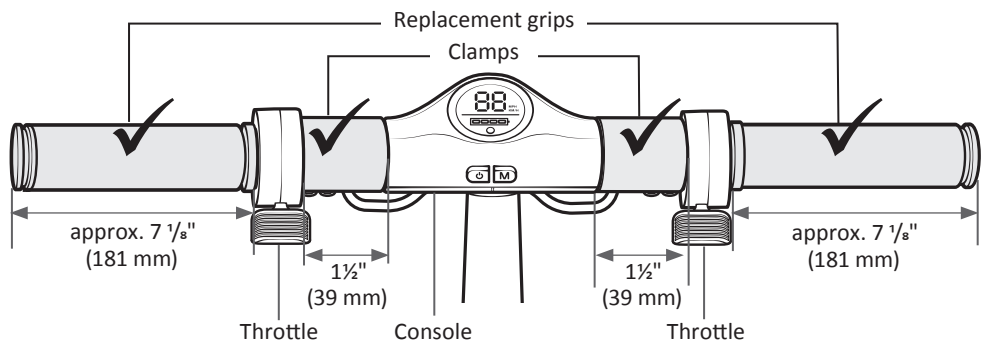
**Tone 2 and 3:** Clamps are installed between the **console** and the **throttle**.

**Tone 1:** Clamps are installed between the **console** and the **hand brake** on the left side, and between the **console** and **throttle** on the right side.

**IMPORTANT!** Old grips **CANNOT** be installed when the clamps are used.

**tone 2 | tone 3**

**Correct Installation**



**tone 1**

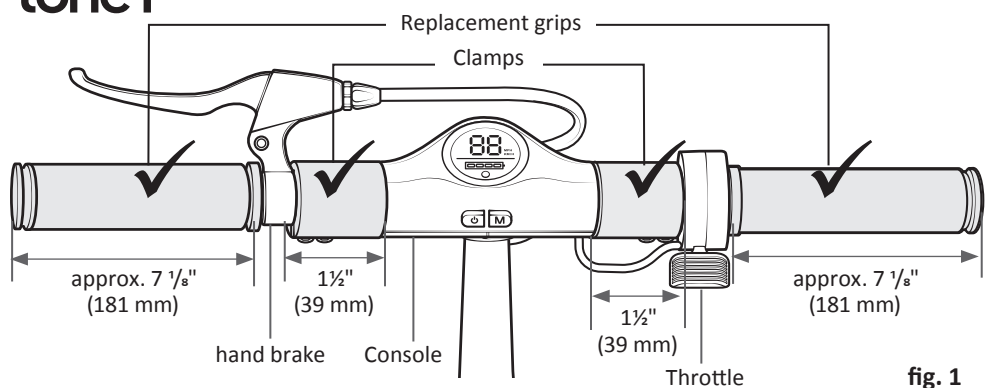
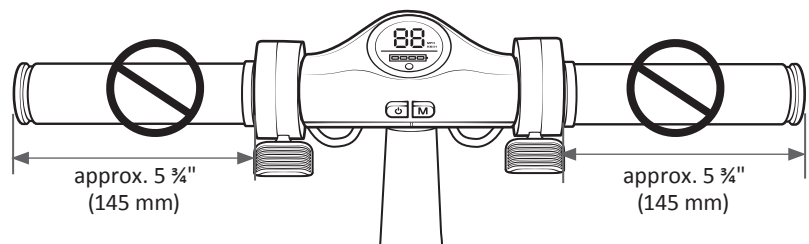


fig. 1

Handlebars without the replacement grips and clamps, **must be immediately removed** from use until repaired!

**tone 2 | tone 3**

**Incorrect**



**tone 1**

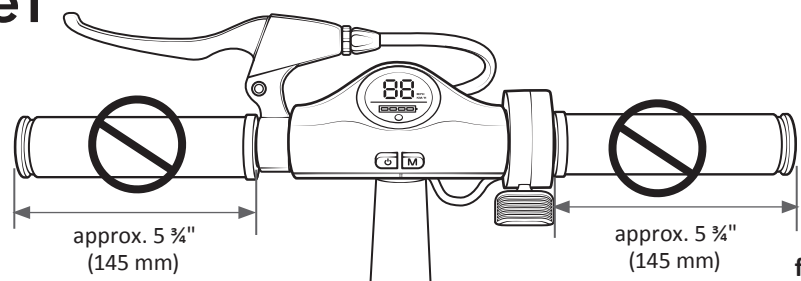


fig. 2